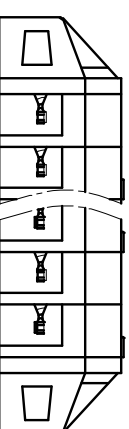
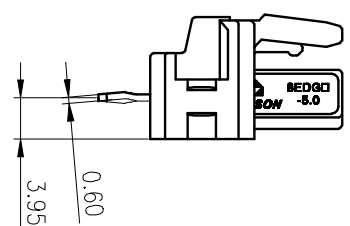
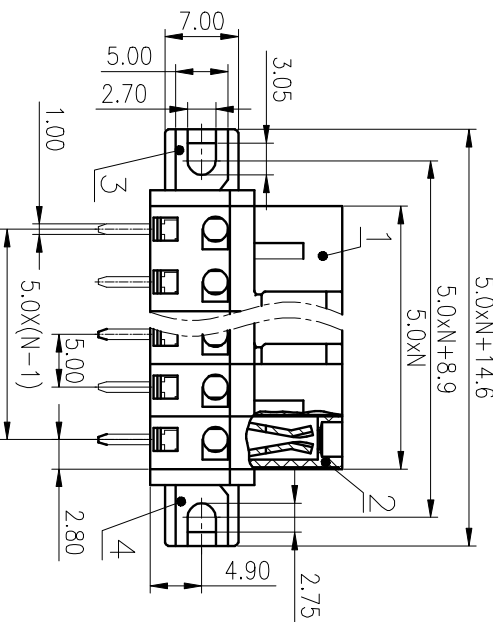
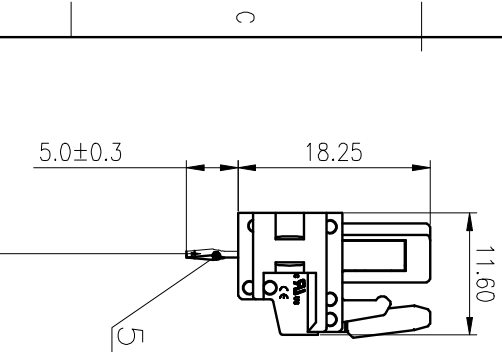


PCB LAYOUT

Bending the pin-header after assembling



The first pin will bulge to the left

公差等级/General Tolerances(mm)		公差等级/General Tolerances(mm)	
0	>3	>6	>10
~	~3	~6	~10
3	6	10	18
~	~6	~10	~18
±0.12	±0.18	±0.22	±0.26
±0.31	±0.37	±0.57	±0.80
±1.05	±1.15	±1.60	±2.20
±2.50	±2.50	±2.50	±2.50
0.1/10	0.1/10	0.1/10	0.1/10
±Z	±Z	±Z	±Z

ITEM	NAME OF PART	MATERIAL	NOTES
5	Clamp	Copper	
4	Right housing	PA66	UL94V-0
3	Left housing	PA66	UL94V-0
2	Housing2	PA66	UL94V-0
1	Housing1	PA66	UL94V-0

UL 标准 / UL Standard:	B	C	D
额定电压/电涌 / Rated Voltage(V)/Current(A)	300/15	/	300/10
IEC 标准 / IEC Standard:			
过压类别 / Overvoltage Category / 污染等级 / Pollution Degree	III/3	III/2	II/2
额定电压/电涌 / Rated Voltage(V)/Current(A)	320/20	/	/
额定脉冲电压 / Rate Impulse Voltage(KV)	4.0	/	/
线径范围(硬线和软线) / Wire Range(rigid and flexible)(mm ² / AWG)	/		
间距 / Pitch(mm) / 线数范围 / Poles	5.0 / N = 02 ~ 24P		
剥线长度 / Stripping length(mm)	6-7		
使用温度范围 / Operating Temperature(°C)	-40 ~ +105		
符合 RoHS 环保要求 / Conform to RoHS	Yes		
标准颜色编号 / Standard color number:	PANTONE 428C		
PANTONE / RAL	PANTONE 428C		

MATERIAL:	/
MAT NO.:	/
STATUS:	/
APPD:	
CHKD:	
NAME:	8EDGBM-5.0-XXP-11-01A(H)
DRAWING NO.:	8EDGBM-5.0-C02
TYPE:	CUSTOMER DRAWING

DEGSON® NINGBO DEGSON ELECTRICAL CO., LTD
宁波高松电子有限公司

REV	ECN	DESCRIPTION	DRAFT	DATE	SIZE: A4	SCALE: 2:1	SHEET
1				2020.06.19			1/1