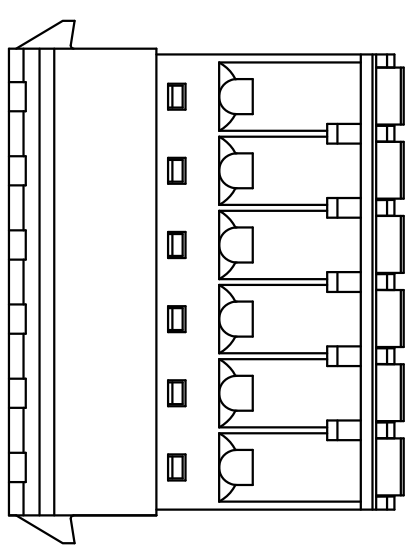
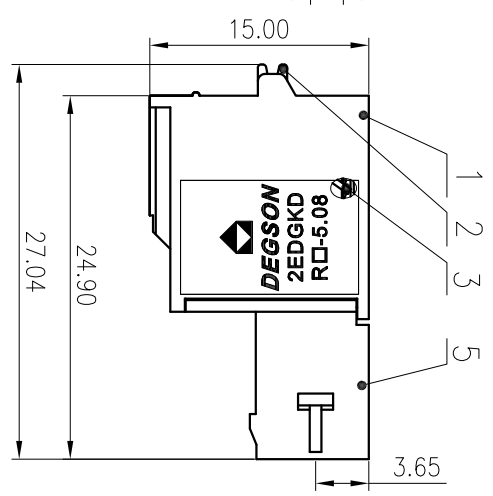
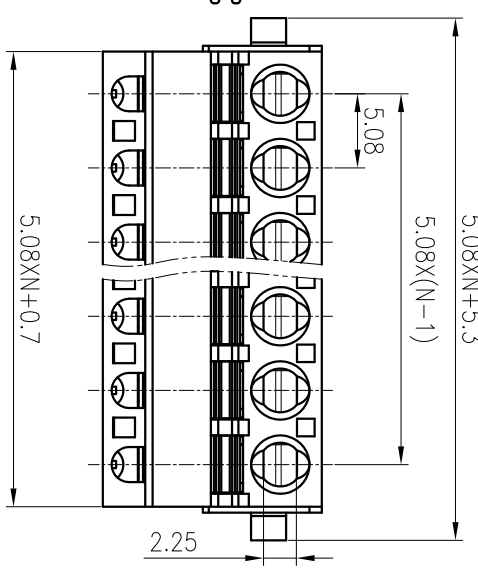
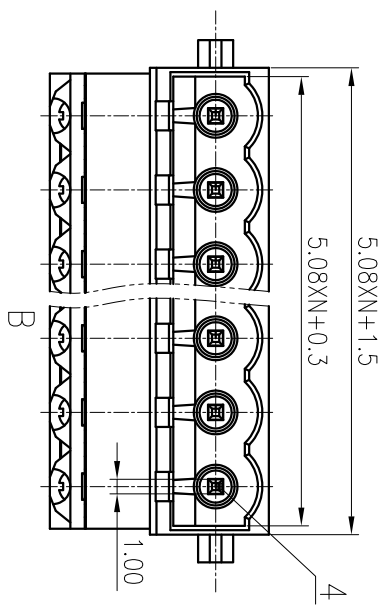


公差表/General Tolerances(mm)	
0	>3
~	>6
3	>10
6	>18
10	>30
18	>50
30	>80
50	>120
80	>180
120	>250
180	>315
250	>400
315	>500
400	>500
500	>500
±0.12	±0.18
±0.22	±0.26
±0.31	±0.37
±0.57	±0.80
±0.93	±1.05
±1.15	±1.60
±2.20	±2.50
±2	±2



5	Cover	PA66	UL94V-0
4	Clamp	Copper	Sn plated
3	Spring	Stainless steel	
2	Button	PA66	UL94V-0
1	Housing	PA66	UL94V-0

ITEM NAME OF PART MATERIAL NOTES

UL 标准/UL Standard: B C D

额定电压/电流/Rated Voltage(V)/Current(A) 300/10 / /

EC 标准/IEC Standard: / / /

过压类别/Overvoltage Category/污染等级 III/3 III/2 II/2

级/Pollution Degree

额定电压/电流/Rated Voltage(V)/Current(A) / 250/12 /

工频耐压/Withstanding Voltage(KV) / AC2500 /

导线范围(硬线和软线)/Wire Range(rigid and flexible)(mm<sup>2</sup>/AWG) 2.5/26~12

间距/Pitch(mm)/线数范围/Poles 5.08/N=02~16P

剥线长度/Stripping length(mm) 9~10

使用温度范围/Operating temperature(°C) -40~+105

符合RoHS环保要求/Conform to RoHS Yes

MATERIAL: / SURFACE: /

MAT NO.: /

STATUS: /

APPD: LIGL 2020.06.03

CHKD: Mek 2020.06.03

DRAFT: LuoXM 2020.06.03

NAME: **DEGSON** 宁波高松电子有限公司  
NINGBO DEGSON ELECTRICAL CO., LTD

2EDGKDRN-5.08-XXP-1Y-00A (H)

DRAWING NO.: 2EDGKDRN-5.08-C01

TYPE: CUSTOMER DRAWING

SCALE: 2:1

REV T2

SHEET 1/1

REV	ECN	DESCRIPTION	DRAFT	DATE
1				
2				
3				
4				

A B C D 1 2 3 4 5 6