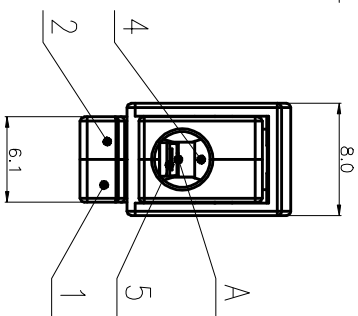
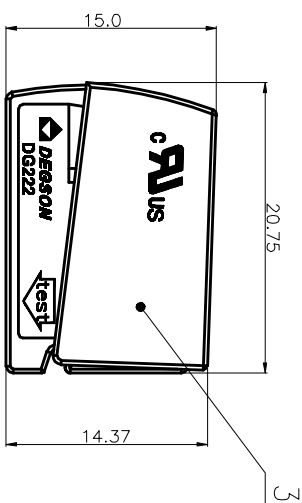
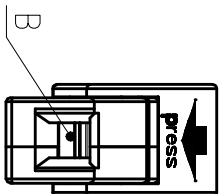
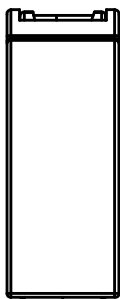
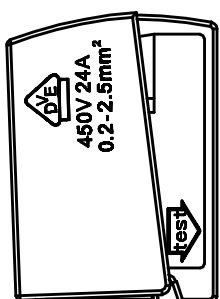


公差等级/General Tolerances(mm)		公差等级/General Tolerances(mm)										公差等级/General Tolerances(mm)	
0	>3	>6	>10	>18	>30	>50	>80	>120	>180	>280	>315	>400	0.1/10 ±Z
~	~	~	~	~	~	~	~	~	~	~	~	~	
3	6	10	18	30	50	80	120	180	280	315	400	500	±Z
±0.12	±0.18	±0.22	±0.26	±0.31	±0.37	±0.57	±0.80	±0.93	±1.05	±1.15	±1.60	±2.20	±2.50



5	Current carrier	Copper	Sn Plated
4	Spring	Stainless Steel	
3	Cover	PA66	UL94V-0
2	Housing 2	PA66	UL94V-0
1	Housing 1	PA66	UL94V-0
ITEM	NAME OF PART	MATERIAL	NOTES

UL 标准 / UL Standard:	B	C	D
额定电压/电涌 / Rated Voltage(V)/Current(A)	300/22	/	300/10
IEC 标准 / IEC Standard:			
过压类别 / Overvoltage Category / 污染等级 / Pollution Degree	/	III/2	/
额定电压/电涌 / Rated Voltage(V)/Current(A)	/	450/24	/
工频耐压 / Withstanding Voltage(V/Min)	/	AC2500	/
线径范围(裸线剥线域) / Wire Range(rigid and flexible)(mm² / AWG)	A:1.0~2.5/14~12(Sol)	B:0.2-2.5/12-22	8.00/01P
间距 / Pitch(mm) / 剥线范围 / Stripping length(mm)	9-11	-40~+105	Yes
符合 RoHS 要求 / Conform to RoHS	Yes		
标准颜色编号 / Standard color number:	/		
PANTONE / RAL	/		

MATERIAL: SURFACE:

MAT NO.: /

STATUS: /

APPD: Li GL 2020.06.15

CHKD: Moo J 2020.06.15

DRAFT: Wgng LX 2020.06.15

NAME: **DEGSON® NINGBO DEGSON ELECTRICAL CO., LTD**

NAME: **DG222-8.0-01P-1Y-00A(H)**

DRAWING NO.: DG222-8.0-C01

TYPE: CUSTOMER DRAWING SCALE: 2:1 SHEET 1/1

REV	ECN	DESCRIPTION	DRAFT	DATE

SIZE: A4

mm
inch

SCALE: 2:1 SHEET 1/1