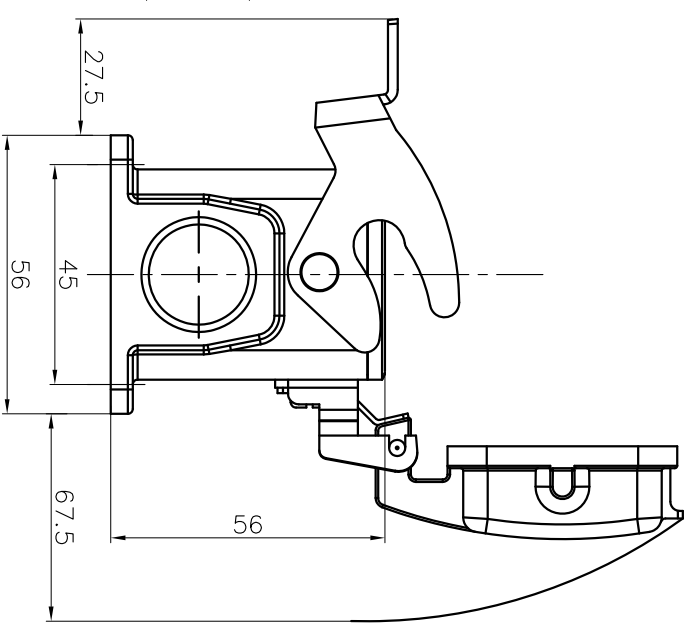
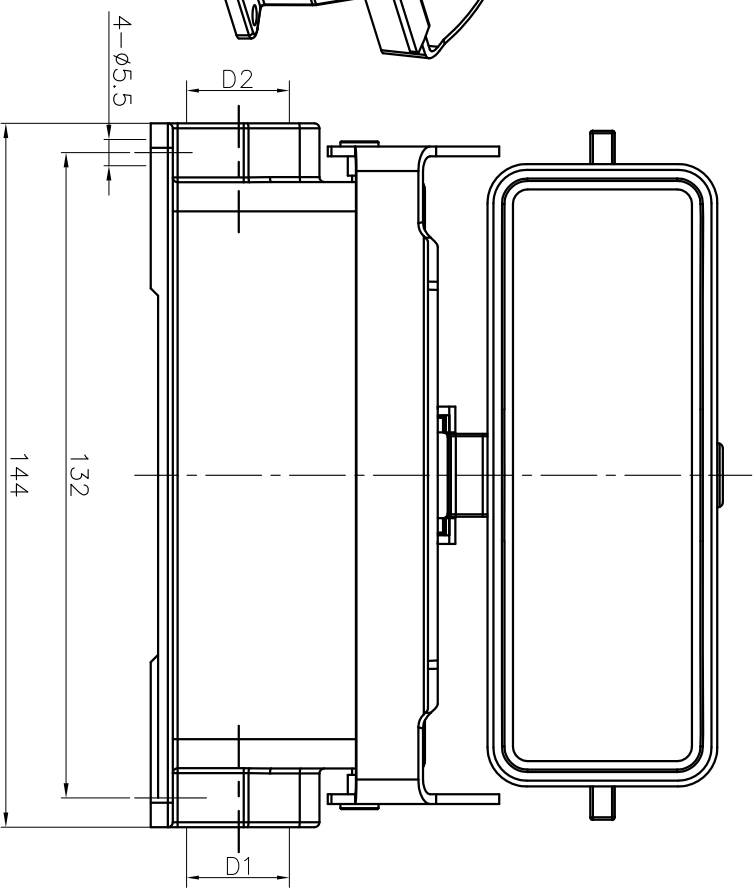
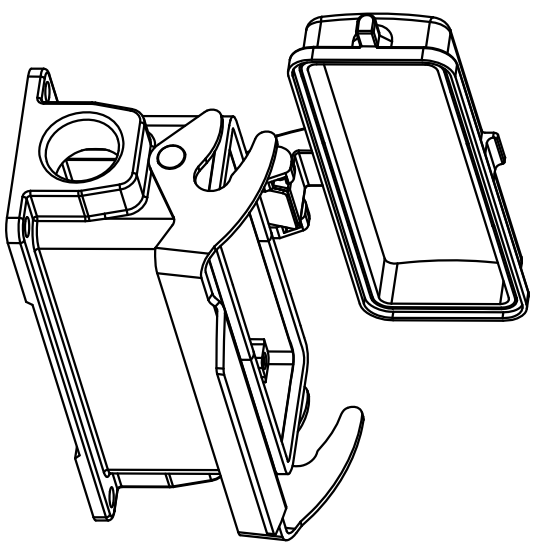


TYPE	Thread		Selection
	D1	D2	
D24B-SF-1L-CV-M25	M25	—	
D24B-SF-1L-CV-2M25	M25	M25	
D24B-SF-1L-CV-PG21	PG21	—	
D24B-SF-1L-CV-2PG21	PG21	PG21	

REVISION RECORD				
REV	ECN	DESCRIPTION	DRFT	DATE



Housings Feature

- 01. Material: aluminium die-cast
- 02. Surface: Powder-coated
- 03. Color: grey (RAL 7037)
- 04. Material: Metal (Lever)
- 05. Sealing: NBR
- 06. Covers: Plastic
- 07. Limiting temperatures: -40°C ~ +125°C
- 08. Flammability acc to UL94: V0
- 09. Degree of protection acc to EN60529 for coupled connector: IP65
- 10. Rohs compliance

DETACHED LISTS			
PART NO.:	/	NAME:	DEGSON 宁波高松电子有限公司 NINGBO DEGSON ELECTRICAL CO., LTD
APPR:		TITLE:	D24B-SF-1L-CV-M/PG
CHKD:		DRAWING NO.:	
DRFT:	Mr. yong 2017/06/28	TITLE:	CUSTOMER DRAWING
		DRAWING NO.:	
		REV	DO-1
		SHEET	1/1
		SCALE	1:1.5



THIRD ANGLE PROJECTION

8 7 6 5 4 3 2 1