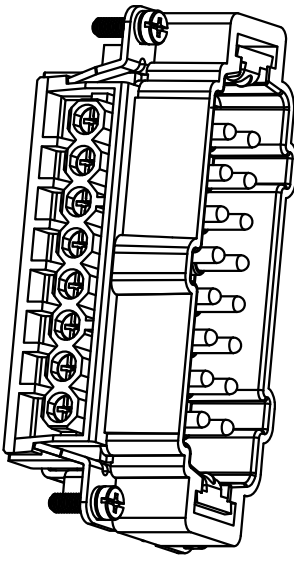
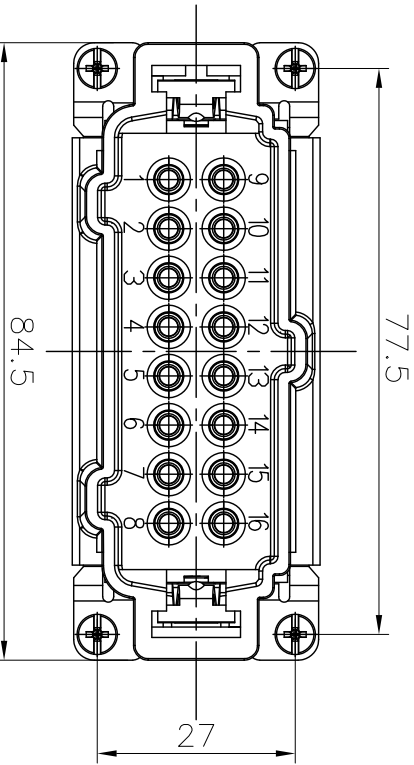
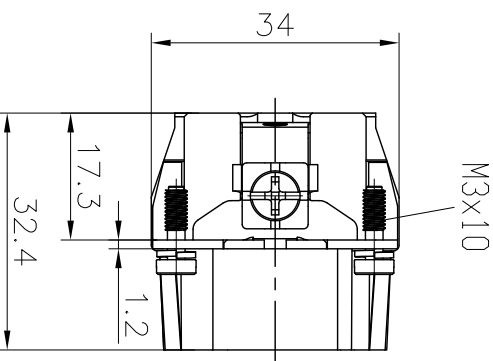


REVISION RECORD				
REV	ECN	DESCRIPTION	DRFT	DATE

Technical characteristics:
 Specifications
 DIN EN 60 664-1
 DIN EN 61 984

- Inserts
01. Number of contacts : 16+PE
 02. Rated Current : 16A
 03. Rated Voltage : 500V
 04. Pollution degree : 3
 05. Rated impulse voltage : 6kv¹⁰
 06. Insulation resistance : $\geq 10\Omega$
 07. Material: Polycarbonate
 08. Rated voltage acc. to UL/CSA: 600V
 09. Limiting temperatures : -40°C ~ +125°C
 10. Flammability acc. to UL94: V0
 11. Mechanical working life (mating cycles) : ≥ 500

- Contacts
01. Material: Copper alloy
 02. Surface: hard-silver plated
 03. Contact resistance : $\leq 1m\Omega$
 04. Terminal : Screw terminal
 05. Wire gauge : 1.0-2.5mm² (AWG: 18-14)
 06. Tightening torque : 0.5Nm
 07. Stripping length : 7.5mm
 08. Rohs Compliance



DETACHED LISTS			
PART NO.:	/	NINGBO DEGSON ELECTRICAL CO., LTD	
APPD:		DEGSON® 宁波高松电子有限公司	
CHKD:		NAME: DE-016-M	
DRFT:	Mr. Yang 2016.08.08	TITLE: CUSTOMER DRAWING	REV DO
THIRD ANGLE PROJECTION		DRAWING NO.:	SHEET
		DO NOT SCALE DRAWING	SCALE
			1:1

A 8 7 6 5 4 3 2 1