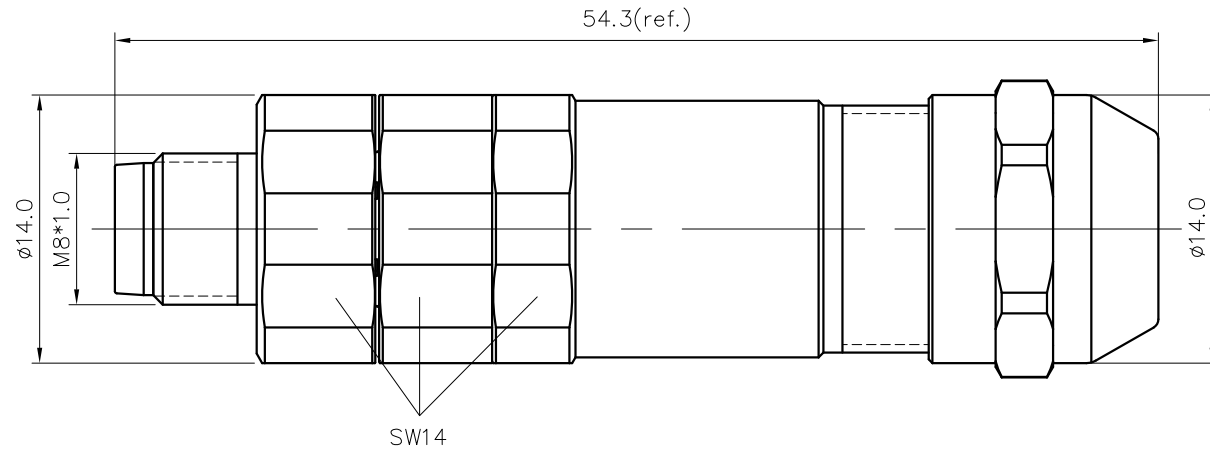
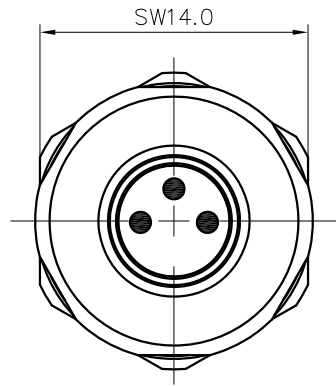


REVISION RECORD

REV	ECN	DESCRIPTION	DRFT	DATE
-----	-----	-------------	------	------



PBSH-M8A-XXP-MM-SL7001-00A(H)

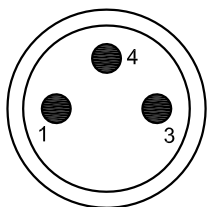
Pin number: 03,04

NOTES:

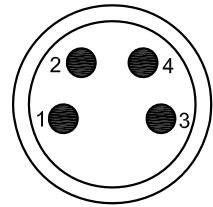
1. Rated voltage/current : 3pin: 60V / 3A  
4pin: 60V / 3A
2. Withstanding voltage : 3,4pin: AC850V/1Min
3. Levels of protection: IP67
4. Wire range : 3pin: 24~22AWG/0.25~0.34mm<sup>2</sup>  
4pin: 24~22AWG/0.25~0.34mm<sup>2</sup>
5. Cable range : 4~6mm
6. Wire connection mode: screw
7. Operating temperature: -40°C~+85°C
8. RoHS Compliance
9. Tolerance : ±0.5mm

3pin A Coding

4pin A Coding



Pin Assignment Front View



Pin Assignment Front View

DETACHED LISTS	PART NO.: PBSHM8AXPMMSL700100AH		宁波高松电子有限公司 NINGBO DEGSON ELECTRICAL CO., LTD	
	APPD:	NAME: PBSH-M8A-XXP-MM-SL7001-00A(H)		
	CHKD:	TITLE: CUSTOMER DRAWING		
	DRFT: SQ 2019.05.17	REV: D0-1	SHEET: 1/1	
 THIRD ANGLE PROJECTION		DRAWING NO.: XXXXXXXX-XX-CXX	SCALE: 1:1	DO NOT SCALE DRAWING