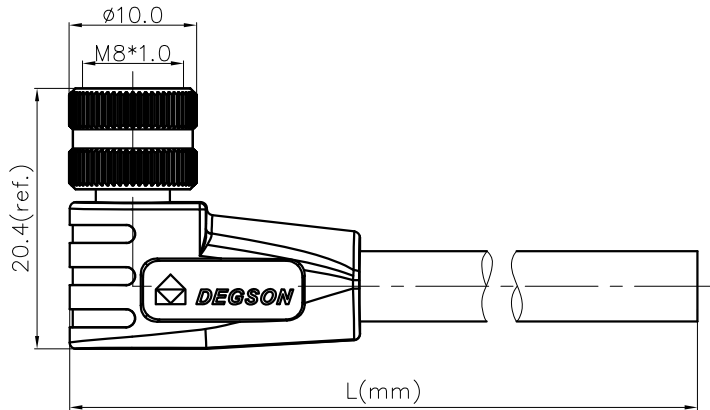
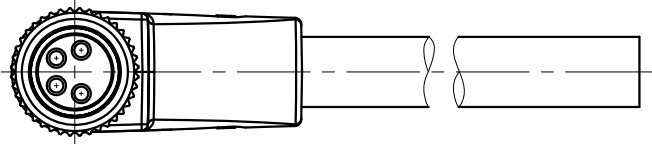


REVISION RECORD

REV	ECN	DESCRIPTION	DRFT	DATE
-----	-----	-------------	------	------



PM-M8X-XXP-FF-SR7XXX-00A(H)

Coding: A,B

Pin number: 03,04,
05,06,08

Cable jacket:
A: PVC UL2517
B: PUR UL20549
C: PVC UL2517 For UL Approve
D: PUR UL20549 For UL Approve

Cable length
01: 1M
...
99: 99M
The line grows business trip:
01~05m: ± 50mm
06~10m: ± 100mm
11~30m: ± 200mm
31~99m: ± 500mm

NOTES:

- Rated voltage/current : 3pin: 60V / 3A
4pin: 60V / 3A
5pin: 30V / 3A
6pin: 30V / 1.5A
8pin: 30V / 1.5A
- Withstanding voltage : 3,4pin: AC850V/1Min
5,6,8pin: AC650V/1Min
- Levels of protection: IP67
- Cable specifications :
3pin: 3C*24AWG/0.25mm²,UL2517/UL20549
4pin: 4C*24AWG/0.25mm²,UL2517/UL20549
5pin: 5C*24AWG/0.25mm²,UL2517/UL20549
6pin: 6C*26AWG/0.14mm²,UL2517/UL20549
8pin: 8C*26AWG/0.14mm²,UL2517/UL20549
- Wire connection mode: soldering
- Operating temperature: -25°C~+80°C
- RoHS Compliance
- Tolerance : ±0.5mm

	3pin A Coding	4pin A Coding	5pin B Coding	6pin A Coding	8pin A Coding
	Pin Assignment Front View	Pin Assignment Front View	Pin Assignment Front View	Pin Assignment Front View	Pin Assignment Front View
					8 Red
					7 Blue
				6 Pink	6 Pink
			5 Gray	5 Gray	5 Gray
	4 Black	4 Black	4 Black	4 Black	4 Yellow
	3 Blue	3 Blue	3 Blue	3 Blue	3 Green
		2 White	2 White	2 White	2 Brown
	1 Brown	1 Brown	1 Brown	1 Brown	1 White
	Conn Wire Color	Conn Wire Color	Conn Wire Color	Conn Wire Color	Conn Wire Color
	Pin Out	Pin Out	Pin Out	Pin Out	Pin Out

DETACHED LISTS	PART NO.: PMM8XXXPFFSR7XXX00AH		宁波高松电子有限公司 NINGBO DEGSON ELECTRICAL CO., LTD	
	APPD:	NAME: PM-M8X-XXP-FF-SR7XXX-00A(H)		
	CHKD:	TITLE: CUSTOMER DRAWING		
	DRFT: SQ 2019.09.06	REV	D0-2	
		DRAWING NO.: XXXXXXXX-XX-CXX	SHEET	1/1
	MM (INCH)	DO NOT SCALE DRAWING	SCALE 1:1	