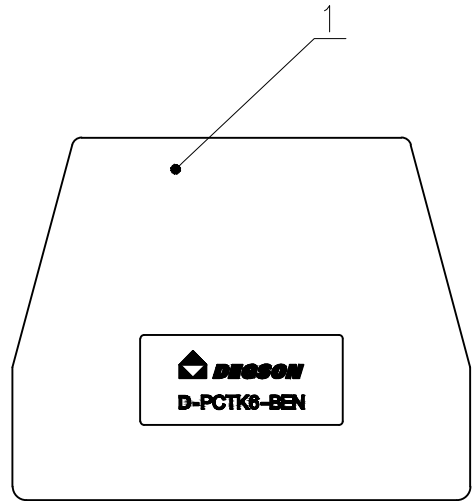
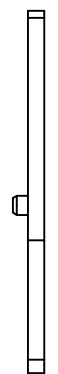
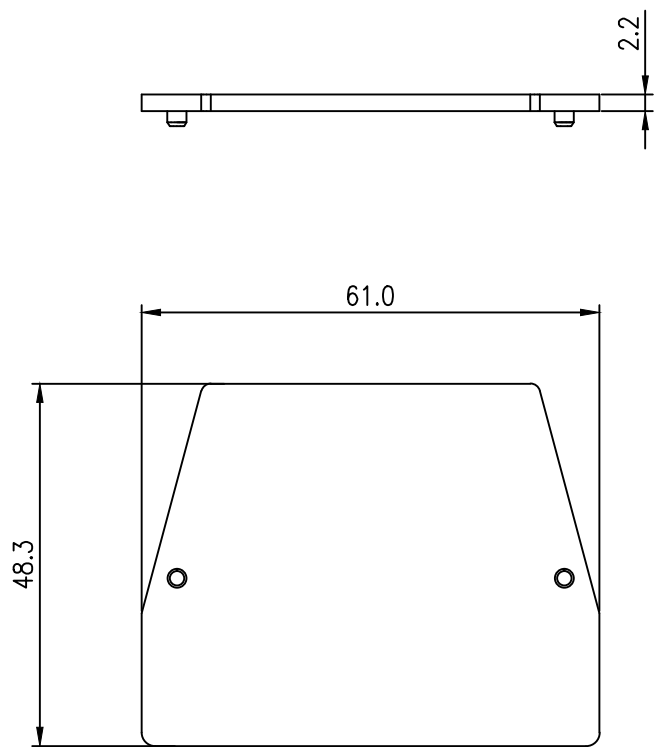


未注公差/General tolerances(mm)														
0	>3	>6	>10	>18	>30	>50	>80	>120	>180	>250	>315	>400	0.1/10	
~3	~6	~10	~18	~30	~50	~80	~120	~180	~250	~315	~400	>500		
±0.12	±0.18	±0.22	±0.26	±0.31	±0.37	±0.57	±0.80	±0.93	±1.05	±1.15	±1.60	±2.20	±2.50	±Z



1	Cover	PA66	UL94V-0
ITEM	NAME OF PART	MATERIAL	NOTES
使用温度范围/Operating temperature(°C)			-40~+105
符合RoHS环保要求/Conform to RoHS			Yes
标准颜色编号/Standard color number: PANTONE / RAL			/

MATERIAL: /	SURFACE: /
MAT NO.: /	宁波高松电子有限公司 NINGBO DEGSON ELECTRICAL CO., LTD
STATUS: /	
APPD: Li GL 2020.06.01	NAME: D-PCTK6-BEN-01P-1Y-00A(H)
CHKD: Mao J 2020.06.01	
DRFT: Wang LX 2020.06.01	DRAWING NO.: D-PCTK6-BEN-C01
	REV T1

REV	ECN	DESCRIPTION	DRFT	DATE	SIZE: A4	TYPE: CUSTOMER DRAWING	SCALE: 1:1	SHEET 1/1
-----	-----	-------------	------	------	----------	------------------------	------------	-----------