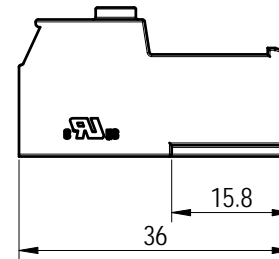
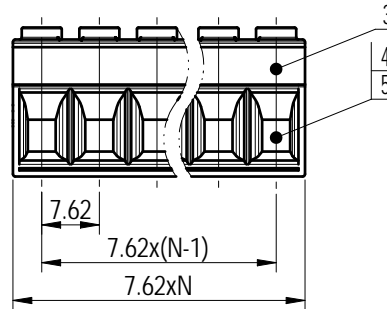
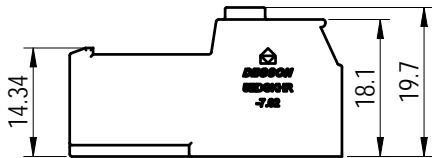
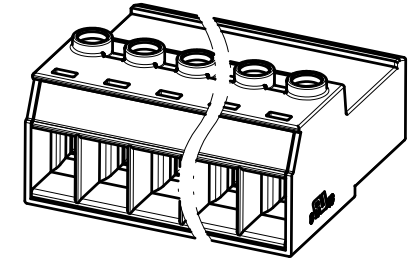
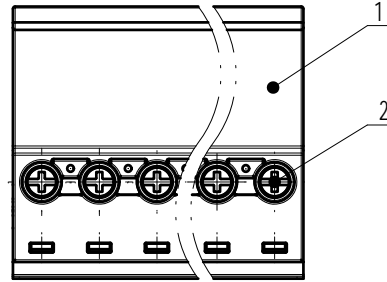


未注公差/General tolerances (mm)														0.1/10 ±2'
0 ~ 3	>3 ~ 6	>6 ~ 10	>10 ~ 18	>18 ~ 30	>30 ~ 50	>50 ~ 80	>80 ~ 120	>120 ~ 180	>180 ~ 250	>250 ~ 315	>315 ~ 400	>400 ~ 500	>500	
±0.12	±0.18	±0.22	±0.26	±0.31	±0.37	±0.57	±0.80	±0.93	±1.05	±1.15	±1.60	±2.20	±2.50	

Transfer or duplication of this document as well as the utilization or communication of its content are prohibited unless expressly permitted. Violations will be treated as copyright infringement. All rights reserved for patent, utility model or design registrations. 除专利等明确标注外，其他标注均表示：复制、引用、分发等文件均须获得许可。未经明确标注，其他标注均表示：复制、引用、分发等文件均须获得许可。所有权利保留。



ITEM	NAME OF PART	MATERIAL	NOTES
5	Cage	Copper alloy	M3/Ni Plated
4	Current_carrier	Copper	Sn Plated
3	Cover	PA66	UL94V-0
2	Screw	Steel	M3/Zn Plated
1	Housing	PA66	UL94V-0

UL 标准/UL Standard:	B	C	D
额定电压/电流/Rated Voltage(V)/Current(A)	600/41	600/41	/
IEC 标准/IEC Standard:			
过压类别/Ovenvoltage Category/污染等级/Pollution Degree	III/3	III/2	II/2
额定电压/电流/Rated Voltage(V)/Current(A)	1000/41	1000/41	1000/41
额定脉冲电压(KV)/Rate Impulse Voltage(KV)	8	8	6
螺丝扭矩/Torque Tightening(N·m/Lb.in)	M3, 0.8/7.09		
线径范围(硬线和软线)/Wire Range(rigid and flexible)(AWG/mm²)	24~8 / 0.2~6		
间距/Pitch(mm)/线数范围/Poles	7.62/N=02~12P		
剥线长度/Stripping length(mm)	10		
使用温度范围/Operating temperature(°C)	-40~+105		
符合RoHS环保要求/Conform to RoHS	Yes		

		MATERIAL:	SURFACE/COLOR:			
		MAT NO./REV:	MAT STATUS: 批量			
APPD: 兰春华	2024.03.14	NAME				
CHKD: 张玉华	2024.03.13	5EDGKHR-7.62-XXP-1Y-00Z(H)				
DRFT: 申玉堂	2024.03.13	DRAWING NO.	TYPE	DRAWING STATUS	SCALE	SHEET
		200031056	CUSTOMER DRAWING	已发布	1:1	1/1

REV	ECN	DESCRIPTION	DRFT	DATE
01		1XProduct increased to 12P	申玉堂	2024.03.13