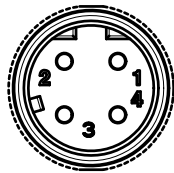
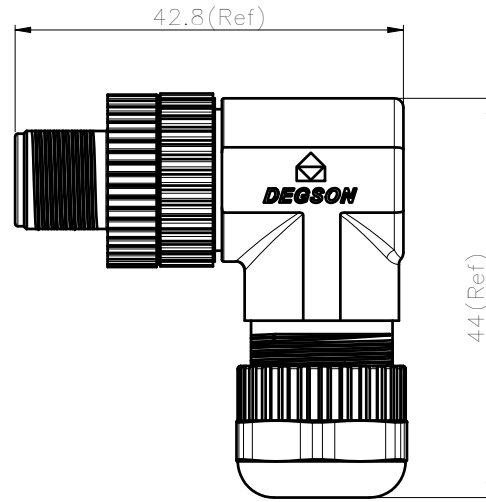
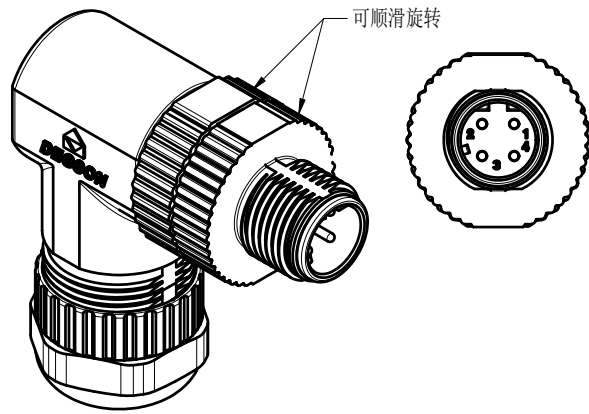
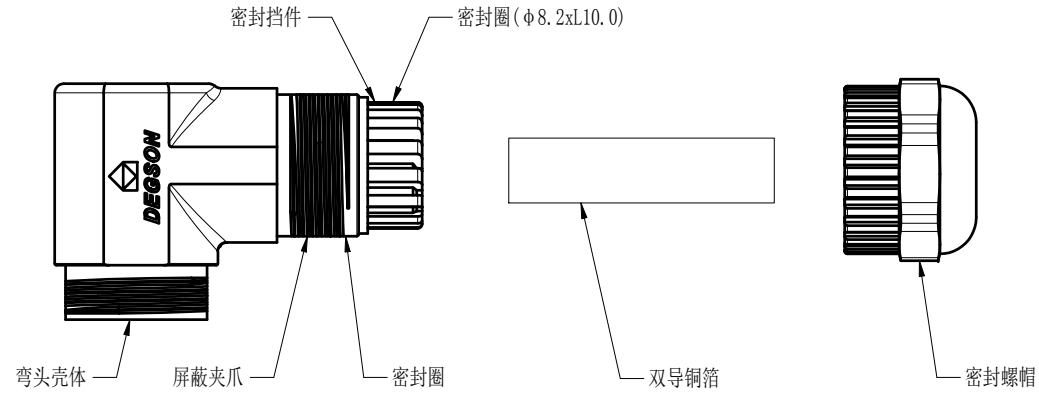
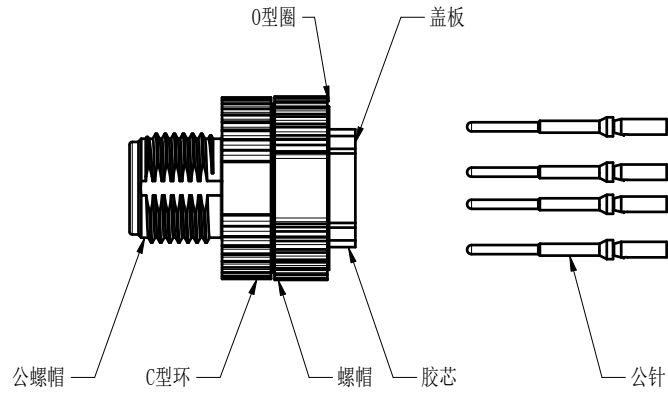


尺寸公差(mm)					0.05/10 ±1'
0 ~ 30	>30 ~ 60	>60 ~ 100	>100 ~ 150	>150	
±0.20	±0.30	±0.50	±0.70	±1.00	



Pin Assignments  
Front View

技术要求/Technical requirements:	
额定电压电流/Rated Voltage/Current	250V AC/4A
绝缘电阻/Insulate Resistance	>100MΩ
耐压/Withstanding Voltage	1500V AC 1min
防护等级/Ingress Protection	IP67
插拔寿命/Insertion/Pullout Times	100 Cycles
插拔力/Insertion/Pullout Force	<30N
使用温度范围/Operating temperature(°C)	-25°~+105
重点管控符号/Key controlled symbol	*
包装规范/Packaging specification	SOP-Y-3383
接线方式/Terminal	Crimping
螺丝扭矩/Tightening torque(N·m/Lb.in)	M12x1.0, 3~4kgf.cm
	M17x1.0, 4~6kgf.cm
线径范围/Wire range(AWG/mm²)	24~20/0.25~0.5

		MATERIAL:	SURFACE/COLOR:		
APPD:		MAT NO./REV: 20030002385-1 / 00	MAT STATUS: 批量		
CHKD:		NAME			
DRFT:		PCSH-M12D-04P-MM-SR7002-00A (H)			
④	A4	DRAWING NO. 200108758	TYPE CUSTOMER DRAWING	DRAWING STATUS work	SHEET 1/1

REV	ECN	DESCRIPTION	DRFT	DATE
00				

Transfer or duplication of this document as well as the utilization or communication of its content are prohibited unless authorized in writing by DEGSON. All rights reserved for patent, utility model or design registrations. 除专利、实用新型、外观设计、软件著作权等权利外，其他权利均归 DEGSON 公司所有。未经授权，不得复制或传播本文件内容。所有权利均归 DEGSON 公司保留。