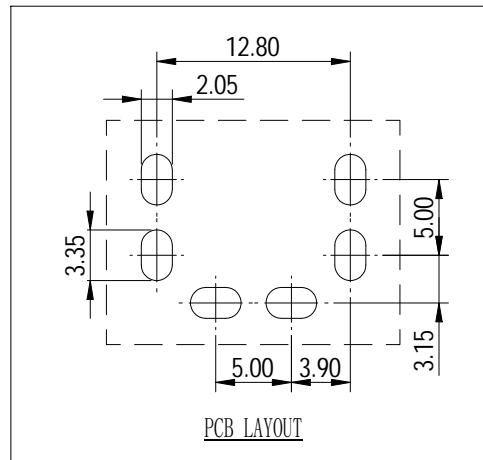
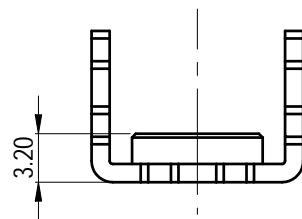
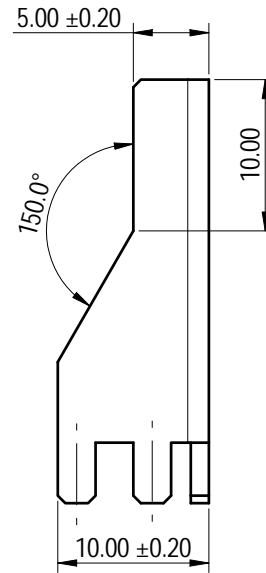
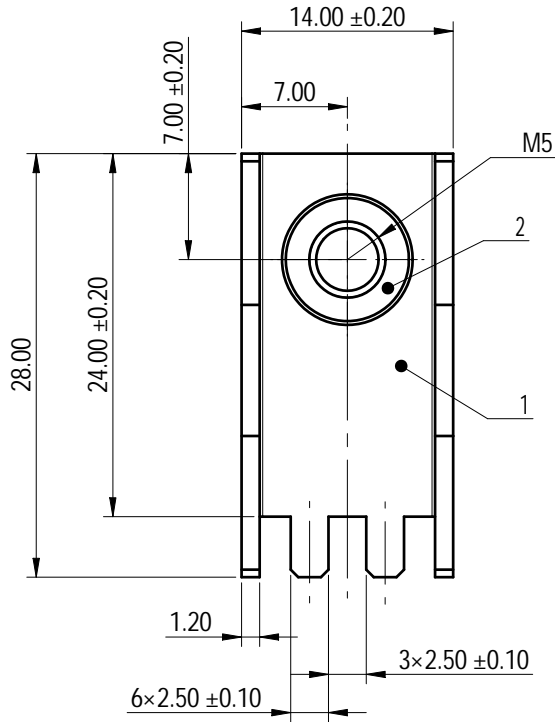


未注公差/General tolerances (mm)													0.1/10	
0 ~ 3	>3 ~ 6	>6 ~ 10	>10 ~ 18	>18 ~ 30	>30 ~ 50	>50 ~ 80	>80 ~ 120	>120 ~ 180	>180 ~ 250	>250 ~ 315	>315 ~ 400	>400 ~ 500		>500
±0.12	±0.18	±0.22	±0.26	±0.31	±0.37	±0.57	±0.80	±0.93	±1.05	±1.15	±1.60	±2.20	±2.50	±2'



2	Nut	Steel	ZnNi Plated
1	Pin header	Copper	Sn Plated
ITEM	NAME OF PART	MATERIAL	NOTES
额定电流/Rated Current(A)			110
螺丝扭矩/Torque Tightening(N·m/Lb.in)			M5, 2.0/17.6
符合RoHS环保要求/Conform to RoHS			Yes

		MATERIAL:	SURFACE/COLOR:		
APPD: 蓝贵凡 2023.08.21		MAT NO./REV: 10900000331-1 / 00		MAT STATUS: 批量	
CHKD: 曹利彬 2023.08.20		NAME			
DRFT: 姜民洁 2023.08.18		K151-00A(H)			
00	REV	ECN	DESCRIPTION	姜民洁	2023.08.18
DRAFTING NO. 200208628		TYPE CUSTOMER DRAWING		DRAWING STATUS 已发布	SCALE 2:1
SHEET 1/1					

Transfer or duplication of this document as well as the utilization or communication of its content are prohibited unless authorized in writing by the copyright owner. All rights reserved for patent. 未经授权复制或传播本文件内容及利用其内容进行任何形式之复制或传播均属侵权行为。本公司保留对本文件内容及其中所载之所有权利。