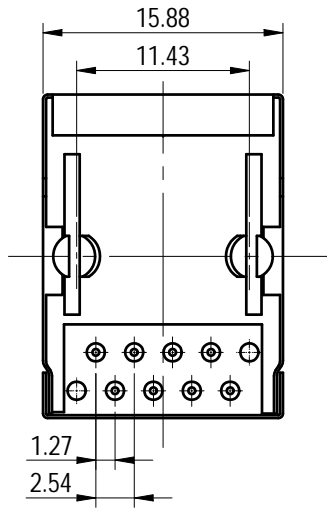
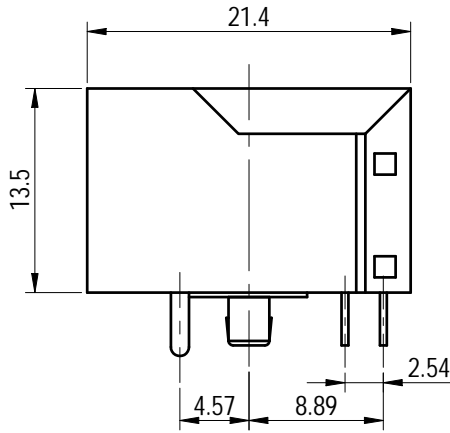
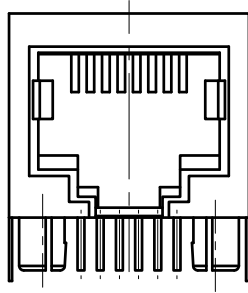
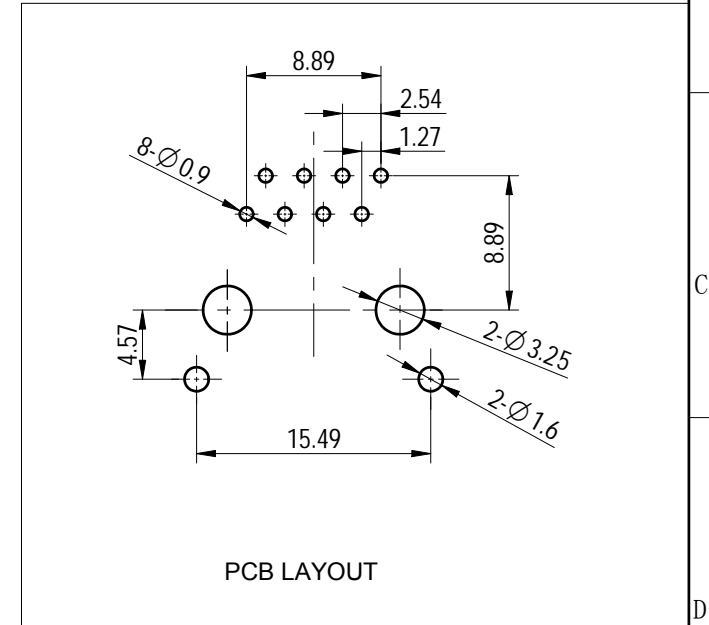


Transfer or duplication of this document as well as the utilization or communication of its contents are prohibited unless explicit authorization is granted. Violations will be liable for compensation. All rights reserved for patent, utility model or design registrations. 除专利等明确授权外, 否则禁止转让、复制、引用、交流本文件的内容。 未经授权复制或传播本文件内容, 侵权必究。



NOTES:

1. Electrical characteristics:
 - 1.1 Contact resistance: 20mΩ Max. Initial.
 - 1.2 Dielectric withstanding voltage: 500V AC(rms) for 1 minute.
 - 1.3 Insulation resistance: 1000MΩ Min.
 - 1.4 Rated current: 1.5A.
 - 1.5 Rated voltage: 125 volts.
2. Environment characteristics:
 - 2.1. Temperature range: -40°C~+85°C.
3. Materials:
 - 3.1 Terminal: Copper alloy Gold plating in contact area.
 - 3.2 Rubber core: PBT, black, fire-retardant.
 - 3.3 Shell: Copper alloy Nickel plating.



GENERAL TOLERANCE			MATERIAL:		SURFACE/COLOR:	
X.	±0.60		MAT NO./REV:		MAT STATUS: 批量	
X	±0.38	APPD: 兰春华	2023.08.10	NAME		
XX	±0.25	CHKD: 陈招	2023.08.10	DG1128-04-S8B8P-X		
00		DRFT: 唐本恒	2023.08.10	DRAWING NO.	TYPE	DRAWING STATUS
REV	ECN	DRFT	DATE	200035072	CUSTOMER DRAWING	已发布
					SCALE	SHEET
					1:1	1/1

00			唐本恒	2023.08.10		
REV	ECN	DESCRIPTION	DRFT	DATE		