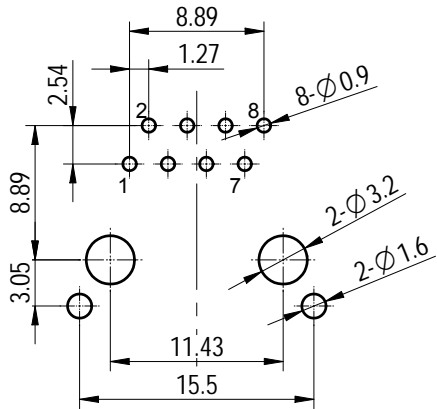
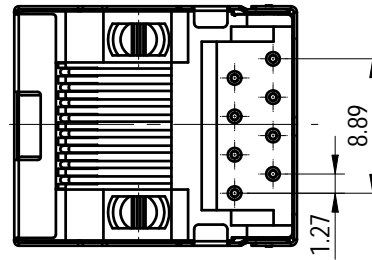
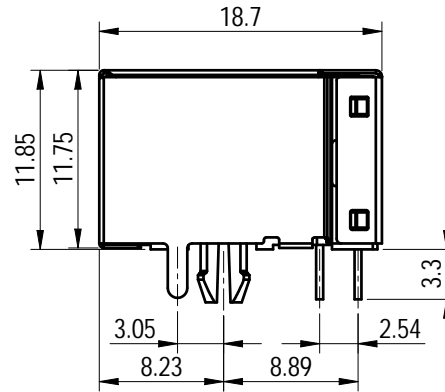
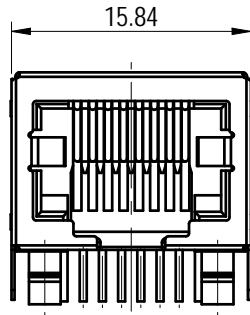


Transfer or duplication of this document as well as the utilization or communication of its contents are prohibited unless explicit authorization is granted. Violations will be liable for compensation. All rights reserved for patent, utility model or design registrations. 除专利等明确授权外，复制、引用、交流等文件的行为，均须事先取得本公司的书面许可。



Recommend PCB Layout(Tolerance=±0.05)

Notes:

1. Electrical Characteristics:
 - 1.1 Contact Resistance: 20mΩ Max.
 - 1.2 Dielectric Withstanding Voltage: 500V AC(rms) For 1 Minute.
 - 1.3 Insulation Resistance: 1000MΩ Min.
 - 1.4 Current Rating:1.5A.
 - 1.5 Voltage Rating:125V AC rms.
2. Environment Characteristics:
 - 2.1 Temperature: -40°C~+85°C.
3. Materials:
 - 3.1 Contact Material: Copper Alloy.
 - 3.2 Contact Plating: Gold Plating Over Nickel.
 - 3.3 Insulator Materials: PBT/PA66,UL94-V0.
4. Product Number Code:

- DG1126 - X X X X X
- Housing Materials
P:PBT
N:Nylon
 - Housing Color
B:Black
 - Contact Plating
0:Gold Flash
3:3u" Gold
(6:30)Micro Inch
 - No.Of Contacts
4:10p4c 6:10p6c 8:10p8c
 - Connector Type
S:Socket



(Series Image-Reference Only)

GENERAL TOLERANCE			MATERIAL:	SURFACE/COLOR:
X.	±0.60		MAT NO./REV:	/ 00
X	±0.38	APPD: 兰春华	2023.08.10	
.XX	±0.25	CHKD: 陈招	2023.08.10	
		DRFT: 唐本恒	2023.08.10	
		DG1126-XXXXX		
DRAWING NO.	TYPE	DRAWING STATUS	SCALE	SHEET
200035070	CUSTOMER DRAWING	已发布	1:1	1/1

00			唐本恒	2023.08.10
REV	ECN	DESCRIPTION	DRFT	DATE