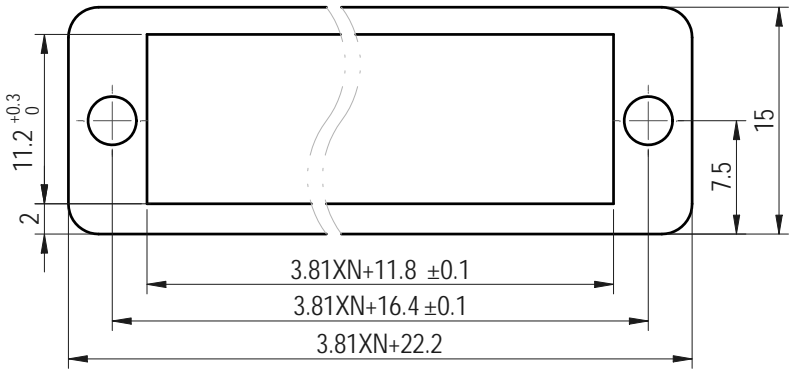
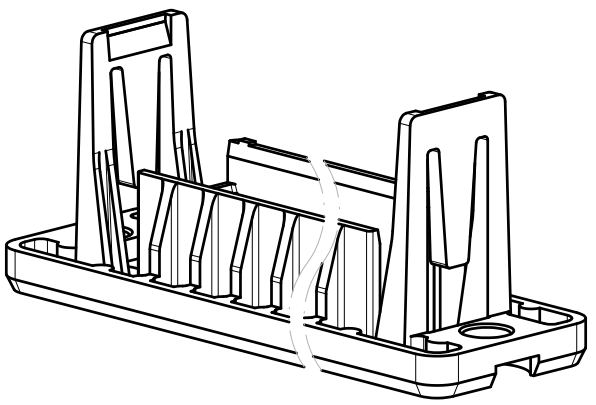
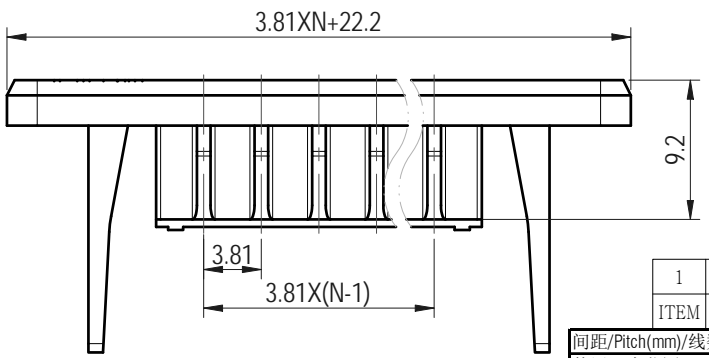
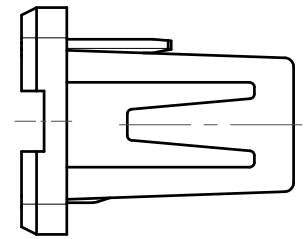
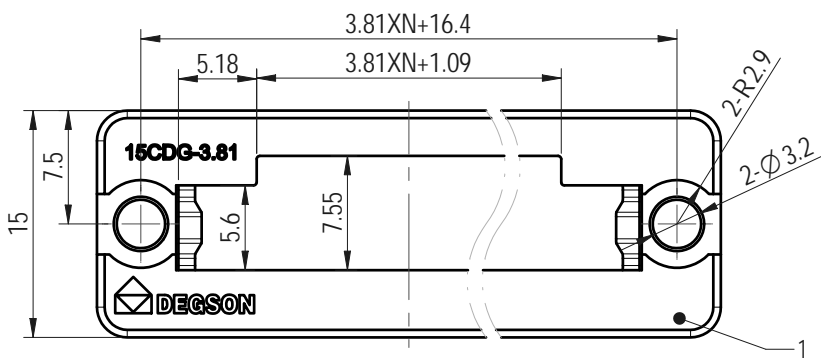
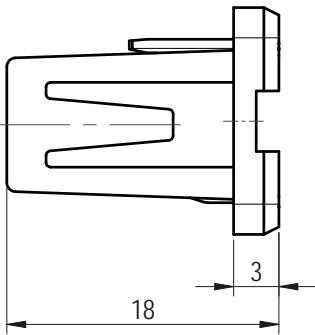
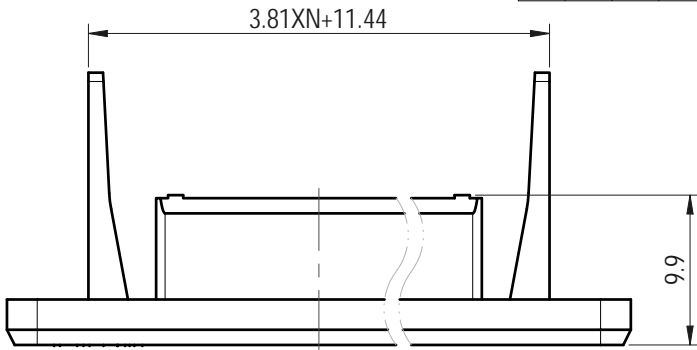


PCB LAYOUT



| 未注公差/General tolerances (mm) | | | | | | | | | | | | | 0.1/10 |
|------------------------------|-------|-------|-------|-------|-------|-------|-------|-------|-------|-------|-------|-------|--------|
| 0 | >3 | >6 | >10 | >18 | >30 | >50 | >80 | >120 | >180 | >250 | >315 | >400 | |
| ~3 | ~6 | ~10 | ~18 | ~30 | ~50 | ~80 | ~120 | ~180 | ~250 | ~315 | ~400 | ~500 | >500 |
| ±0.12 | ±0.18 | ±0.22 | ±0.26 | ±0.31 | ±0.37 | ±0.57 | ±0.80 | ±0.93 | ±1.05 | ±1.15 | ±1.60 | ±2.20 | ±2.50 |



| 1 | Housing | PA66+GF | UL94V-0 |
|----------------------------------|--------------|----------|---------------|
| ITEM | NAME OF PART | MATERIAL | NOTES |
| 间距/Pitch(mm)/线数范围/Poles | | | 3.81/N=02~16P |
| 使用温度范围/Operating temperature(°C) | | | -40~+105 |
| 符合RoHS环保要求/Conform to RoHS | | | Yes |

| | | | | |
|----------------------|------------------|---------------------------|-----------------------------|-------|
| DEGSON | | MATERIAL: PA66-GF | SURFACE/COLOR: PANTONE 556C | |
| APPD: 兰春华 2023.12.14 | | MAT NO./REV: / 00.02 | MAT STATUS: 批量 | |
| CHKD: 龚耀志 2023.12.14 | | NAME | | |
| DRFT: 方哲盛 2023.12.14 | | 15CDG-3.81-XXP-1Y-00Z (H) | | |
| DRAWING NO. | TYPE | DRAWING STATUS | SCALE | SHEET |
| 200032563 | CUSTOMER DRAWING | 已发布 | 2:1 | 1/1 |

| REV | ECN | DESCRIPTION | DRFT | DATE |
|-----|-----|-------------|------|------------|
| 00 | | | 方哲盛 | 2023.12.14 |

Transfer or duplication of this document as well as the utilization or communication of its contents are prohibited unless authorized in writing. All rights reserved for patent, utility model or design registrations. 除专利、实用新型、外观设计、软件著作权等权利外，其他权利均归本公司所有。未经许可，不得复制或传播。