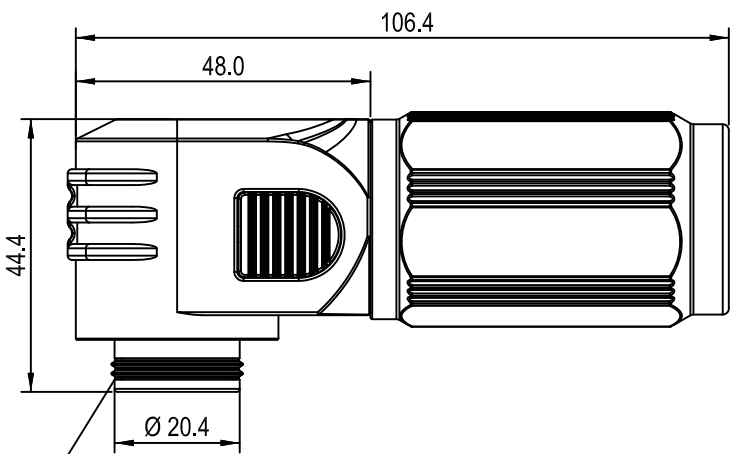
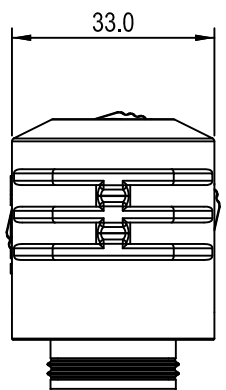
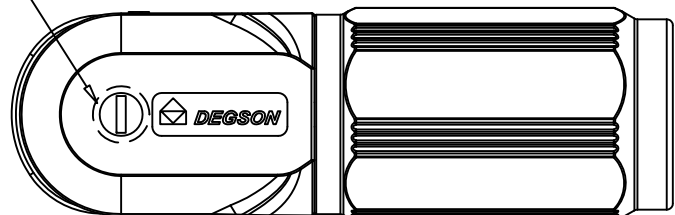


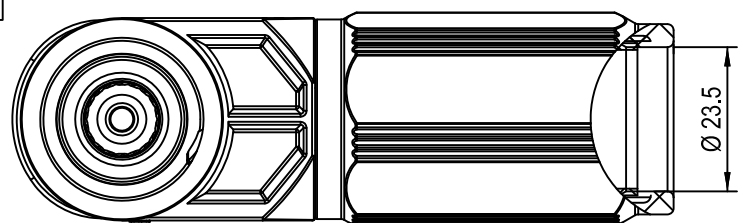
Dimensional tolerance(mm)				
0	>30	>60	>100	>150
~30	~60	~100	~150	
±0.25	±0.30	±0.50	±0.80	±1.0



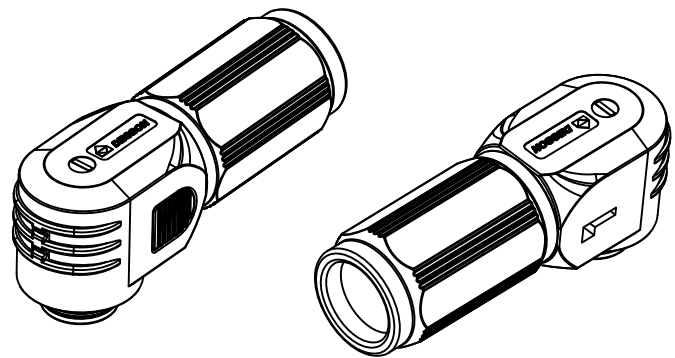
正极 “+”  
负极 “-”



正极尺寸: Ø21.6mm  
负极尺寸: Ø20.4mm



技术要求/Technical requirements:	
颜色(Color)	Black, Orange, Red
锁紧方式(Locking method)	卡扣(Buckle)
接线方式(Terminal)	Copper Screw
外壳材料(Housing material)	PA+GF
接触件材料(Connector material)	铜合金(Copper alloy)
插入力(Insertion force)	80N Max
拔出力(Withdrawal force)	>10N
插拔次数/Mechanical working life(mating cycles)	500
接线规格(Wiring specifications)	250kcmil
建议剥线长度(Suggested stripping length)	22~24mm(Crimp type)
线径OD(Wire diameter)	20~22mm(Crimp type)
额定电压(Rated voltage)	1500V DC
耐电压(Withstanding voltage)	6800V
额定电流(Rated current)	400A
绝缘电阻(Insulation resistance)	≥5000MΩ (drying)
接触电阻(Contact resistance)	≤0.5mΩ
过电压等级(Overvoltage category)	III
污染等级(Pollution degree)	3
使用温度范围(Operating temperature)	-40~+125°C (including temperature rise)
盐雾(Salt spray)	48H
储存温度(Storage temperature)	-40~+85°C
阻燃等级(Flame retardant ability)	UL94-V0
防护等级(Ingress protection)	IP67(Mated)
符合RoHS环保要求(Conform to RoHS)	Yes



ESP-400A-250-XX-00

Color: BK : Black 负极  
OR : Orange 正极  
RD : Red 正极

		MATERIAL:	SURFACE/COLOR:
APPD:		MAT NO./REV:	MAT STATUS:
CHKD:		NAME	
DRFT:		ESP-400A-250-XX-00	

REV	ECN	DESCRIPTION	DRFT	DATE	DWG NO.	TYPE	DRAWING STATUS	SCALE	SHEET
						CUSTOMER DRAWING		1:1	1/1

Transfer or duplication of this document as well as the utilization or communication of its contents are prohibited unless explicit authorization is granted. Violations will be liable for compensation. All rights reserved for patent, utility model or design registrations. 除非经许可授权, 否则禁止转让、复制、利用、交流本文件的内容。 未经授权复制或传播, 侵权者将承担赔偿责任。 本公司保留对专利及发明、实用新型及外观设计的所有权利。