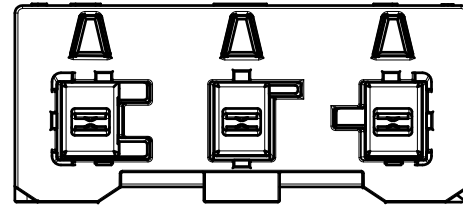
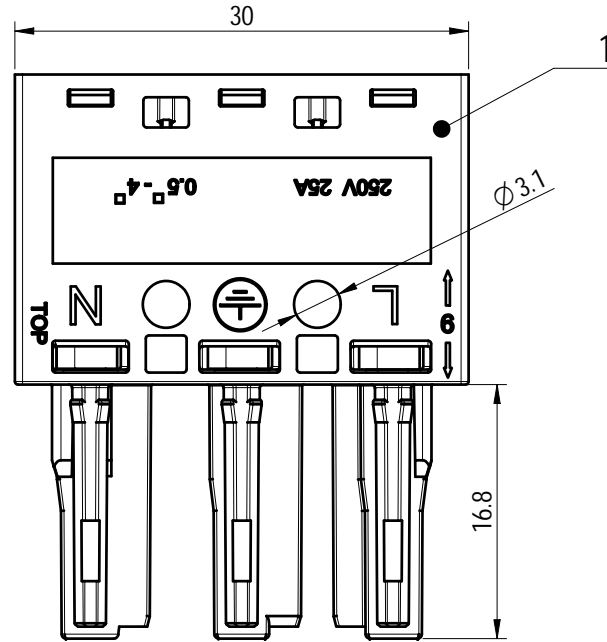
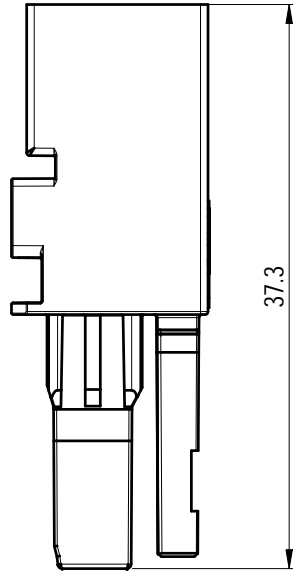
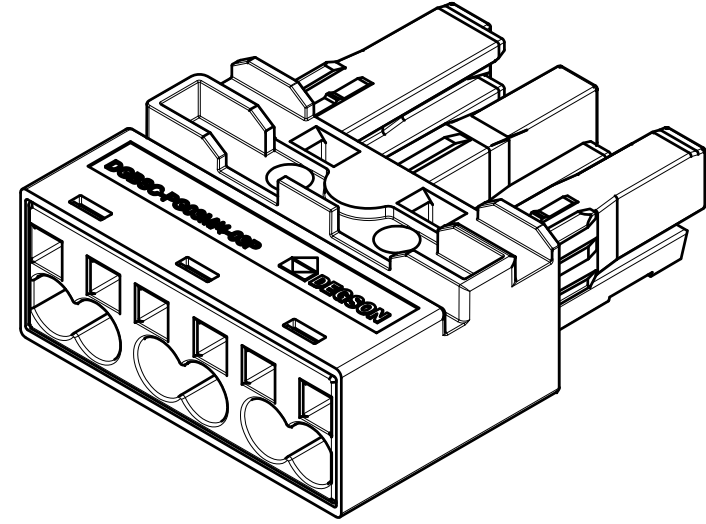
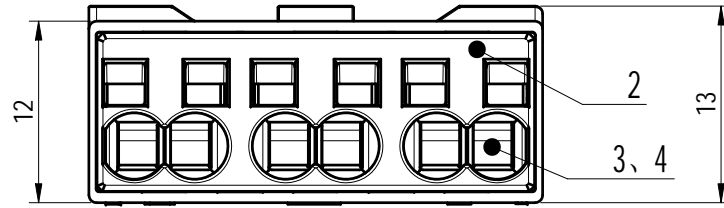


未注公差/General tolerances (mm)												0.1/10		
0 ~ 3	>3 ~ 6	>6 ~ 10	>10 ~ 18	>18 ~ 30	>30 ~ 50	>50 ~ 80	>80 ~ 120	>120 ~ 180	>180 ~ 250	>250 ~ 315	>315 ~ 400		>400 ~ 500	>500
±0.12	±0.18	±0.22	±0.26	±0.31	±0.37	±0.57	±0.80	±0.93	±1.05	±1.15	±1.60	±2.20	±2.50	±2'



ITEM	NAME OF PART	MATERIAL	NOTES
4	Clamp	Copper alloy	Sn Plated
3	Spring	Stainless steel	/
2	Cover	PA66	UL94V-0
1	Housing	PA66	UL94V-0

UL 标准/UL Standard:		
额定电压/电流/Rated Voltage(V)/Current(A)		600/23
IEC 标准/IEC Standard:		
过压类别/Ovenvoltage Category/污染等级/Pollution Degree		III/3
额定电压/电流/Rated Voltage(V)/Current(A)		250/25
额定脉冲电压(KV)/Rate Impulse Voltage(KV)		4
线径范围(硬线和软线)/Wire Range(rigid and flexible)(AWG/mm <sup>2</sup> )		20~12 / 0.5~4
间距/Pitch(mm)/线数范围/Poles		10.0/N=03P
剥线长度/Stripping length(mm)		9~10
使用温度范围/Operating temperature(°C)		-40~+105
符合RoHS环保要求/Conform to RoHS		Yes

		MATERIAL: /	SURFACE/COLOR: /	
		MAT NO./REV: 物料编码 / 版本	MAT STATUS: 设计放行	
APPD: 蓝贵凡 2023.12.12	NAME			
CHKD: 曹利彬 2023.12.12	DGBSC-PG03M/4-03P-1Y-00Z (H)			
DRFT: 曹利彬 2023.12.12	DRAWING NO.	TYPE	DRAWING STATUS	SCALE
		图号	CUSTOMER DRAWING	已发布
				SHEET 1/1

REV	ECN	DESCRIPTION	DRFT	DATE
00	/	/	曹利彬	2023.12.12

Transfer or duplication of this document as well as the utilization or communication of its content are prohibited unless authorized in writing. All rights reserved for patent, utility model or design registrations. 除专利、实用新型、外观设计、软件著作权等依法注册外，其他权利均归本公司保留。未经许可，不得复制或传播。