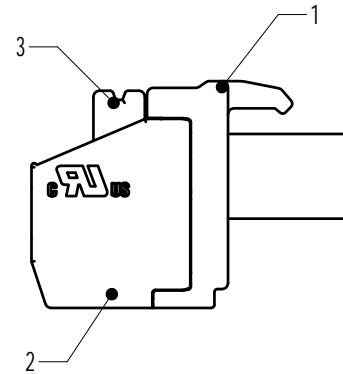
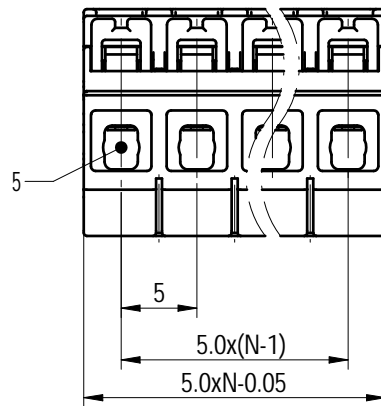
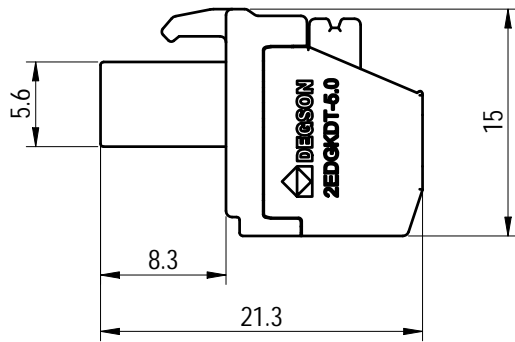
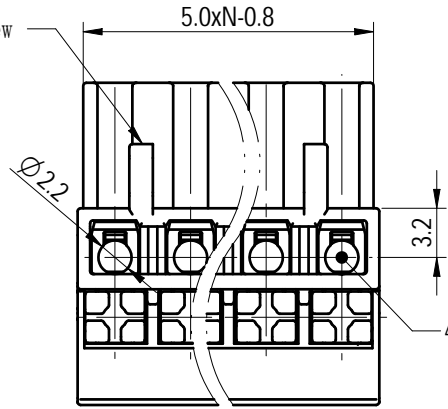
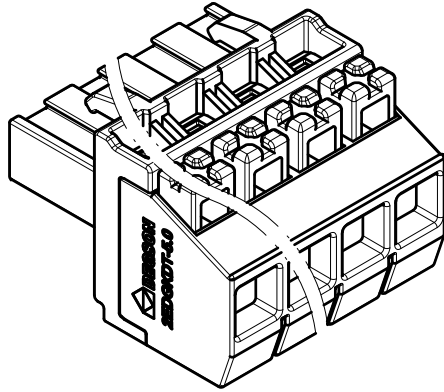


未注公差/General tolerances (mm)													0.1/10
0	>3	>6	>10	>18	>30	>50	>80	>120	>180	>250	>315	>400	
~3	~6	~10	~18	~30	~50	~80	~120	~180	~250	~315	~400	~500	~500
±0.12	±0.18	±0.22	±0.26	±0.31	±0.37	±0.57	±0.80	±0.93	±1.05	±1.15	±1.60	±2.20	±2.50

02P:Clasp on the left from this view



ITEM	NAME OF PART	MATERIAL	NOTES
5	Spring	Stainless steel	/
4	Clamp	Copper alloy	Sn Plated
3	Button	PA66+GF	UL94V-0
2	Cover	PA66	UL94V-0
1	Housing	PA66	UL94V-0

UL 标准/UL Standard:	B	C	D
额定电压/电流/Rated Voltage(V)/Current(A)	300/15	/	300/10
IEC 标准/IEC Standard:			
过压类别/Overvoltage Category/污染等级/Pollution Degree	III/3	III/2	II/2
额定电压/电流/Rated Voltage(V)/Current(A)	320/16	400/16	800/16
额定脉冲电压(KV)/Rate Impulse Voltage(KV)	4	4	4
线径范围(硬线和软线)/Wire Range(rigid and flexible)(AWG/mm²)	24- 14/ 0.2- 2.5		
间距/Pitch(mm)/线数范围/Poles	5.0/N= 02- 04P		
剥线长度/Stripping length (mm)	10		
使用温度范围/Operating temperature(°C)	-40~ + 105		
符合RoHS环保要求/Conform to RoHS	Yes		

		MATERIAL:	SURFACE/COLOR: /		
		MAT NO./REV:	/ 00 MAT STATUS: 小批量		
APPD: 兰春华	2023.08.28	NAME			
CHKD: /	/	2EDGKDT-5.0-XXP-1Y-00Z(H)			
DRFT: 龚耀志	2023.08.28	DRAWING NO.	TYPE	DRAWING STATUS	SCALE
		200218157	CUSTOMER DRAWING	work	2:1
REV	ECN	DESCRIPTION	DRFT	DATE	SHEET
00			龚耀志	2023.08.28	1/1

Transfer or duplication of this document as well as the utilization or communication of its content are prohibited unless expressly authorized in writing by DEGSON. All rights reserved for patent, utility model or design registrations. 除专利等权利注册外, 未经授权, 不得复制或传播。 未经授权, 不得复制或传播。 未经授权, 不得复制或传播。 未经授权, 不得复制或传播。