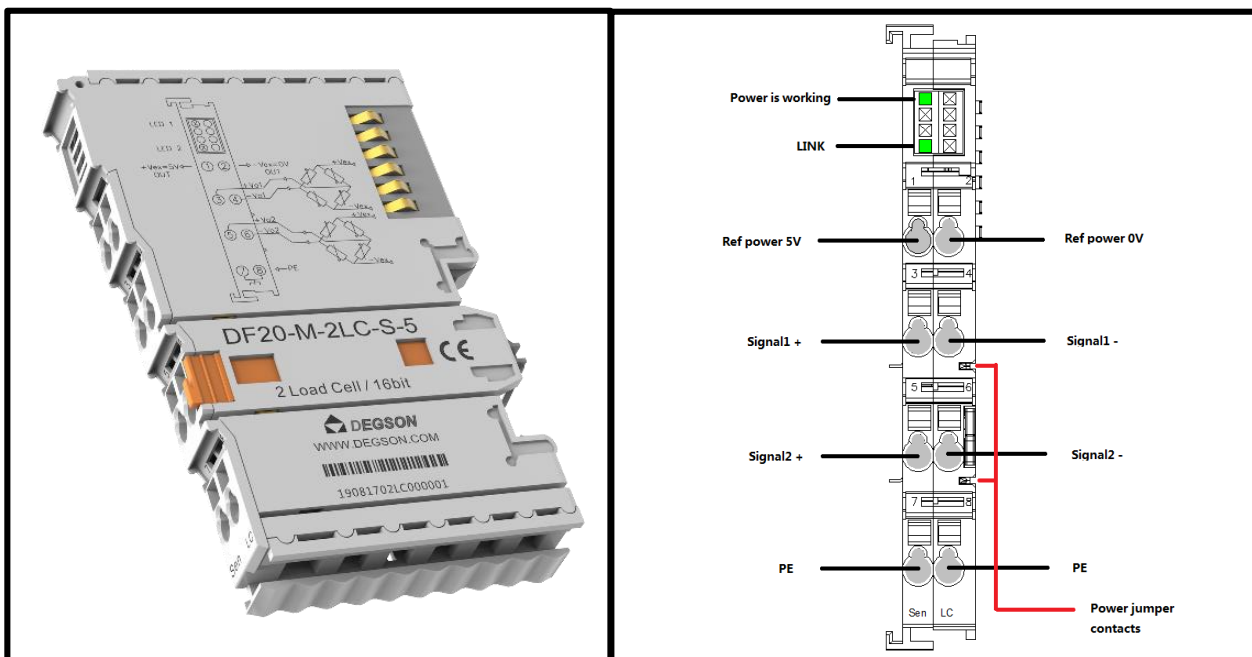


◆ 2 channel pressure measurement /0~10mV (DF20-M-2LC-S-5)

- The pressure measurement measuring range 0~10mV.
- 2 channel pressure measurement.
- The two LED indicators respectively indicate the normal operation and communication of the module.
- Field and system levels are Magnetic isolated.
- Transmitted with a resolution of 16 bits.
- Protection level IP20.

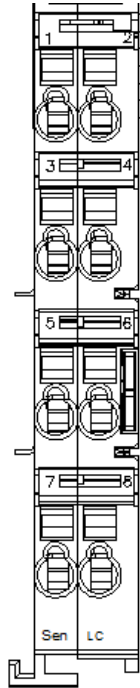


1. Specification

Technical data	
Number of channels	2
Signal type	Load Cell/Bridge, pressure sensor, Load Cell
Connection type	4-line
Resolution [bit]	16 Bit
Precision	0.20%
Data size	8 Byte
Measuring range	0~10mV (-32768~32767)
Supply voltage (system)	5VDC; via data contacts
Current consumption	<210mA
Working voltage	24VDC (-15%~+20%) via power jumper contacts
Isolation	500Vsystem/field Magnetic isolation
Frequency interference suppression	10Hz 50Hz 60Hz 400Hz
Conversion time	3.3ms
Internal Resistance	>500K Ω
Fault diagnosis	Yes
Diagnosis	Parameter assignment error
Reverse protection	Yes
Indicators	2 x LED Green
Number of incoming power jumper contacts	2
Number of outgoing power jumper contacts	2
Connection data	
Connection technology: inputs / outputs	8 x via pluggable connector
Connection type 1	Inputs/Outputs
Area of wire	0.2~2.5mm ² /28~14AWG
Strip length	8~9mm/0.31~0.35inches
Mounting type	DIN-35 RAIL
Material Data	
Color	light gray
Housing material	Polycarbonate; polyamide 6.6
Conformity marking	CE
Environmental requirements	
Ambient temperature (operation)	-25~60°C
Surrounding air temperature (storage)	-40~85°C
Protection type	IP20
Pollution degree (5)	2, Per IEC 61131-2
Operating altitude	without temperature derating: 0~2000m
Mounting position	Any
Relative humidity (without condensation)	5~95%RH
Vibration resistance	4g, Per IEC 60068-2-6
Shock resistance	15g, Per IEC 60068-2-27
EMC immunity to interference	Per EN 61000-6-2
EMC emission of interference	Per EN 61000-6-3
Exposure to pollutants	Per IEC 60068-2-42 and IEC 60068-2-43
Permissible pollutant concentration H ₂ S at a relative humidity < 75%	10ppm
Permissible pollutant concentration SO ₂ at a relative humidity < 75%	25ppm

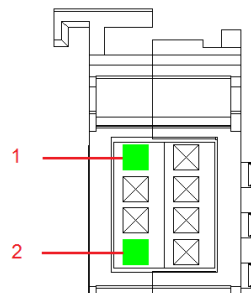
2. Hardware Interface

● Wiring Terminal



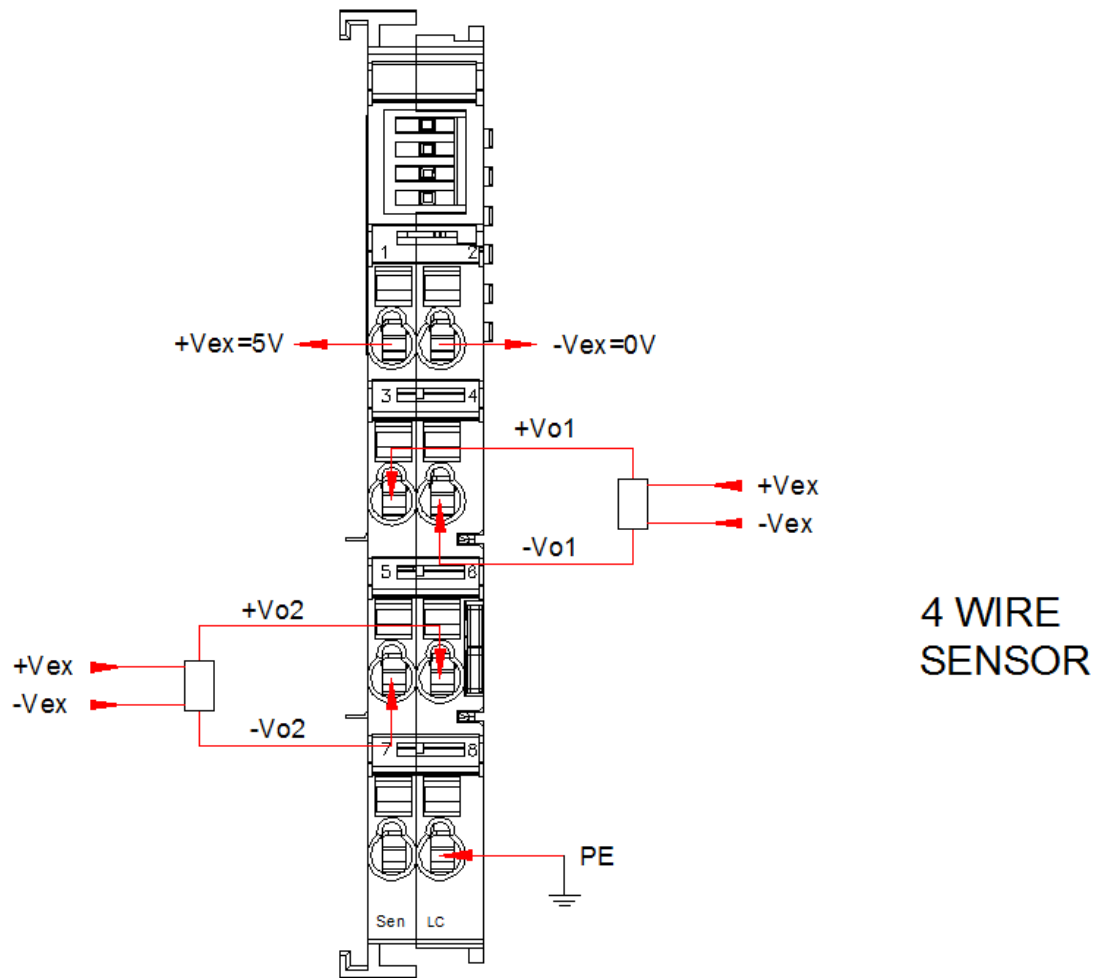
No.	Signal	Description
1	Ref power 5V	Supply voltage to bridge and pressure sensor
2	Ref power 0V	
3	Signal 1+	Measurement channel 1
4	Signal 1-	
5	Signal 2+	Measurement channel 2
6	Signal 2-	
7	PE	Protect Earthing
8	PE	

● LED Indicator



LED Indicator	State	Definition
1	Green:ON	Power Normal
	Green:OFF	Power Failure
2	Green:Flash	The module runs normally
	Green:OFF	Module operating fault

● Wiring



3.Process data definition

DF20-M-2LC-S-5 Module process data definition

Input data									
Bit No	Bit 7	Bit 6	Bit 5	Bit 4	Bit 3	Bit 2	Bit 1	Bit 0	Data type
Byte 0	Analog Input Data(Channel 1)								Int16
Byte 1									
Byte 2	Analog Input Data(Channel 2)								Int16
Byte 3									

Data description:

Analog Input Data(Channel 1~2): Analog signal Input value of corresponding channel.

Analog Input Data (DF20-M-2LC-S-5)		
Voltage (0~10mV)	Weight	Decimal
10	5KG	32767
...
...
0	0	0

4.Machinery installation

● Dimension drawing

The installation size is shown in the following figure (unit: mm):

