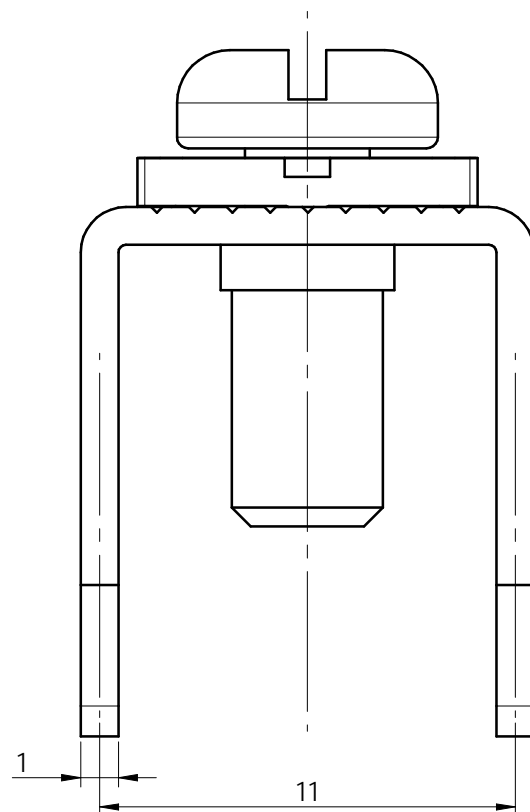
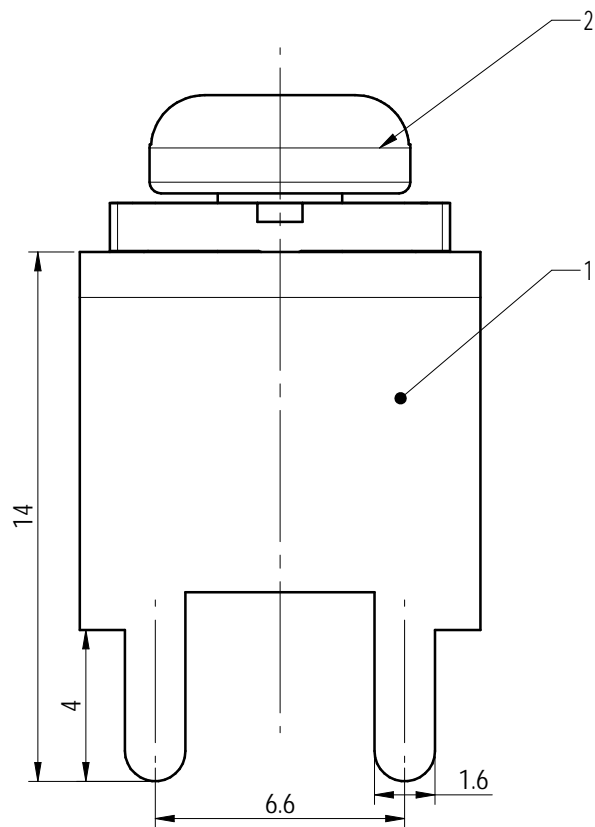
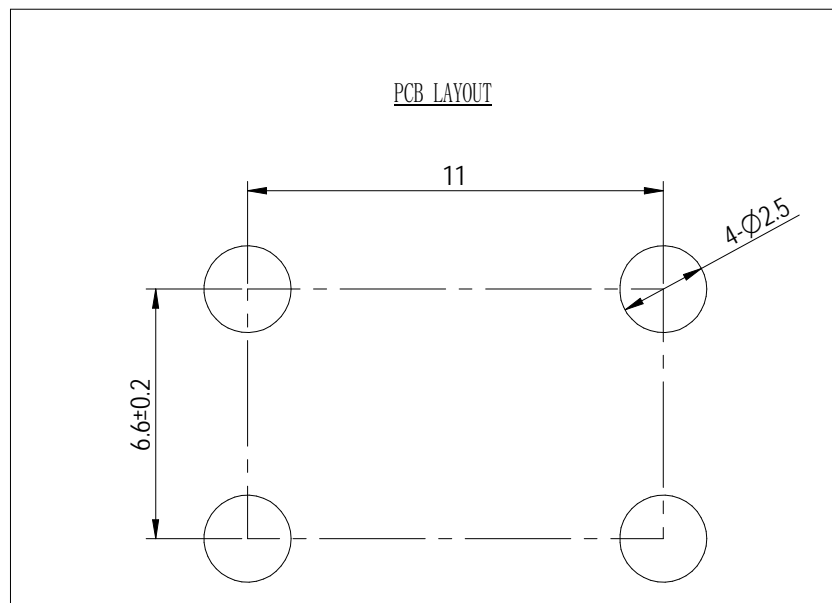
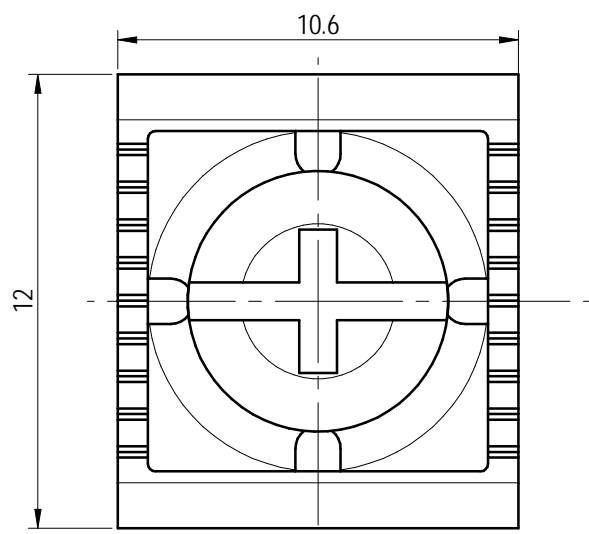


未注公差/General tolerances (mm)											0.1/10 ±2'		
0 ~ 3	>3 ~ 6	>6 ~ 10	>10 ~ 18	>18 ~ 30	>30 ~ 50	>50 ~ 80	>80 ~ 120	>120 ~ 180	>180 ~ 250	>250 ~ 315		>315 ~ 400	>400 ~ 500
±0.12	±0.18	±0.22	±0.26	±0.31	±0.37	±0.57	±0.80	±0.93	±1.05	±1.15	±1.60	±2.20	±2.50



ITEM	NAME OF PART	MATERIAL	NOTES
2	Screw	Steel	M4/Ni Plated
1	Pin header	Brass	M4/Sn Plated

额定电压/电压/Rated Voltage(V)/Current(A)	40A
螺丝扭矩/Torque Tightening(N·m/Lb.in)	M4, 1.2/10.5
符合RoHS环保要求/Conform to RoHS	Yes

DEGSON

APPD: 蓝贵凡 2024.06.12
 CHKD: 汪德荣 2024.06.12
 DRFT: 刘翔 2024.06.12

MATERIAL: SURFACE/COLOR:
 MAT NO./REV: - /00 MAT STATUS: 已发布

NAME: **K99-00A&Z (H)**

DRAWING NO.	TYPE	DRAWING STATUS	SCALE	SHEET
/	CUSTOMER DRAWING	/	5:1	1/1

00	ECN	变更描述	设计人	设计日期
REV	ECN	DESCRIPTION	DRFT	DATE

Transfer or duplication of this document as well as the utilization or communication of its contents are prohibited unless explicit authorization is granted. Violations will be liable for compensation. All rights reserved for patent, utility model or design registrations. 除经许可外，复制或传播本文件、复制或传播本文件的内容、复制或传播本文件的内容，均属于侵权行为。本公司保留所有权利。